

星亮系列-高压版 LED STAR MR16 220V-240V

We bring innovation to light!

Product licensee of trademark
OSRAM in general lighting



产品信息

LED 星亮 高压 MR16 220V-240V



产品综述

产品型号	配件	基础码	输入电压	功率	色温	光通量
MR16 50 S 6.5W 2700K 36° GU5.3	仅光源	AC03543	220V-240V	6.5W	2700K	600
MR16 50 S 6.5W 6500K 36° GU5.3	仅光源	AC03544	220V-240V	6.5W	6500K	600
MR16 50 S 6.5W 2700K 36° GU5.3 S	光源 & 灯座	AC03543	220V-240V	6.5W	2700K	600
MR16 50 S 6.5W 6500K 36° GU5.3 S	光源 & 灯座	AC03544	220V-240V	6.5W	6500K	600

产品优势

- 光斑无重影，完美实现重点照明与基础照明
- 节能83%，小投入大回报
- 更安全的独特灯座设计
- 节约变压器的费用
- 安装简便，无需更换总照明系统
- 可实现低预算、快速装修
- 高度色温一致性
- 德国品质保证

技术特点

- 均匀和干净的光束仰赖创新的TIR和单镜头光学设计
- 高照度，更高品质地替换传统光源
- GU5.3 灯脚，220V-240V输入电压，无需电子变压器
- 创新灯座配件，避免任何滥用低压GU5.3灯，直接连接到线电压
- 保障便捷安装的1: 1卤素灯外观
- 高光色一致性 (SDCM<6)
- 无紫外和红外辐射
- 无汞
- 长寿命，低光衰 (15,000H)

¹ Typical values. All the technical parameters apply to the entire lamp. In view of the complex manufacturing process for light emitting diodes, the typical values given above for the technical LED parameters are merely statistical values that do not necessarily correspond to the actual technical parameters of an individual product; individual products may vary from the typical values.

² The average lifetime of LED lamps is defined as the number of hours when the light output of 50% of a large group of identical lamps goes below 70% of its initial luminous flux (L70B50, IEC62612). The lifetime is estimated at room temperature (25° C), free air burning, base up burning position and at rated voltage.

For lamps with a weight significantly higher than that of the lamps for which they are a replacement, attention should be drawn to the fact that the increased weight may reduce the mechanical stability of certain luminaires and lampholders and may impair contact making and lamp retention.

产品信息

LED 星亮 高压 MR16 220V-240V

订购信息

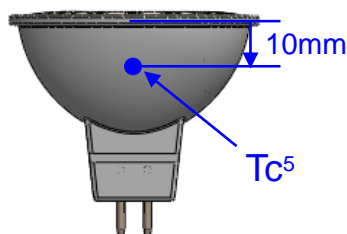
产品型号	功率	显色	光通量	光强	直径	长度	重量	光束角	EAN10	EAN40 (ship unit)	最小包装
LEDSMR1650366.5W/827230 VGU5.310X1G1OSRAM	6.5W	2700K	600lm	1200cd	50mm	46mm	35g	36°	4058075050082	4058075050099	10
LEDSMR1650366.5W/865230 VGU5.310X1G1OSRAM	6.5W	6500K	600lm	1200cd	50mm	46mm	35g	36°	4058075050105	4058075050112	10
LEDSMR1650366.5W/827230 VGU5.310X1S1OSRAM	6.5W	2700K	600lm	1200cd	50mm	46mm	47g	36°	4058075055636	4058075055643	10
LEDSMR1650366.5W/865230 VGU5.310X1S1OSRAM	6.5W	6500K	600lm	1200cd	50mm	46mm	47g	36°	4058075055650	4058075055667	10

其他通用产品信息

产品型号	平均寿命	开关次数 (30s开, 30s关)	外壳材料	启动速度	点亮至95% 所需时间	功率 因数
LED STAR MR16 50 220V-240V	15,000 hrs	100,000	Plastics	<0.5 s	<1 s	0.5

产品型号	一般电流	外壳最大温度	显色指数	汞含量	色容差	环境温度
LED STAR MR16 50 220V-240V	53 mA	≤85°C @ Ta 40°C	80	0.0 mg	≤6 SDCM	-20...+40 °C

产品型号	最大电流	最大电压	外壳最大温度	直径	长度
灯座配件	500 mA	264V	85°C	24mm	23.3mm



废弃处理建议

- 带有WEEE标识的产品可以在固定收集点被回收。
- LED光源类产品需遵循当地有关法规。

³ Typical values. All the technical parameters apply to the entire lamp. In view of the complex manufacturing process for light emitting diodes, the typical values given above for the technical LED parameters are merely statistical values that do not necessarily correspond to the actual technical parameters of an individual product; individual products may vary from the typical values.

⁴ The average lifetime of LED lamps is defined as the number of hours when the light output of 50% of a large group of identical lamps goes below 70% of its initial luminous flux (L70B50, IEC62612). The lifetime is estimated at room temperature (25° C), free air burning, base up burning position and at rated voltage.

⁵ The Tc is defined as the highest permissible temperature which may occur on the outer surface of the LED lamp (in the indicated position) under normal operating conditions and at the rated voltage/current/power or the maximum of the rated voltage/current/power range (DIN EN 62031: 2009-01).

产品信息

LED 星亮 高压 MR16 220V-240V

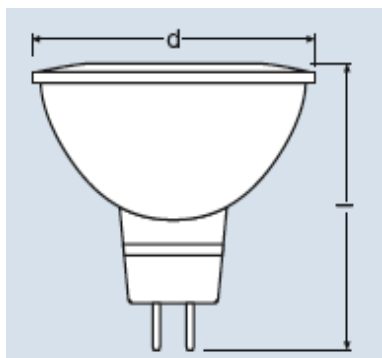
应用建议

- 家居
- 商住综合体
- 餐饮
- 公寓别墅
- 艺术馆及博物馆

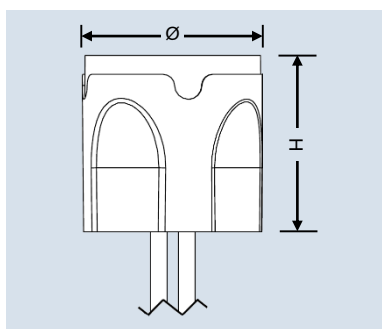
整灯标准符合性声明

- EN 62471 Photo biological safety of lamps

尺寸



	MR16 220V-240V
D (mm)	50
l (mm)	46



	灯座
Ø (mm)	24
H (mm)	23

⁶ No CB and IEC certificate compliance.